

## KZH223

### Application

The KZH223 two port zone valve is typically used on flow control applications where 2 wire control is required.

### Installation

The KZH223 Zone Valve must be positioned where it can not block any vent or cold feed when closed. it can be installed vertically at any angle or horizontally (well above pipe center line) but never turned upside down.

### Specification

**Power supply:** 230 VAC 50 Hz

**End switch:** 2.2 Amps, SPST

**Wire Leads:** 1 m flying leads

**Static pressure rating:** 8.6 bar max.

**Ambient temperature range:** 5 to 50 °C

**Media temperature range:** 5 °C to 88 °C

**Kv rating:** 6.9

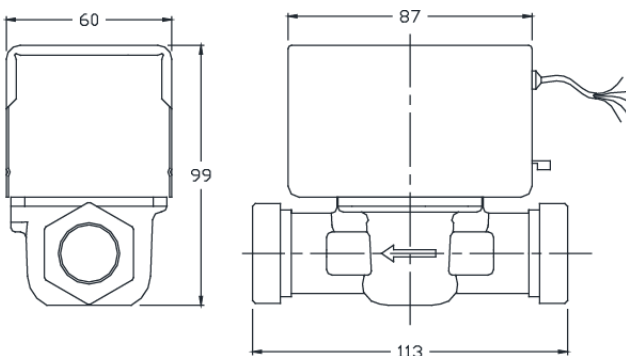
**Max differential pressure:** 0.55 bar

**Connection:** 22 mm compression

**Housing:** stainless steel base with Al cover

**Standards:** CE

### Dimensions (mm)



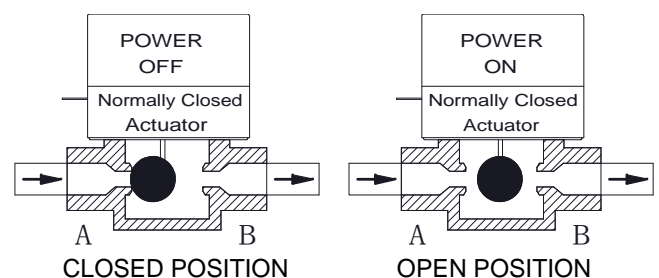
### Operation

When the powerhead is de-energized, a spring return mechanism drives the valve to the closed position.

When the powerhead is energized, the valve is opened.

The valve can also be opened with no electrical power by moving the manual open lever over the stop and pushing slowly and firmly to the MAN. OPEN position. The stop permits the valve to be locked in the open position. The valve will return to automatic position when the valve is energized.

End switch is not energized when valve is manually opened.



### Wiring

